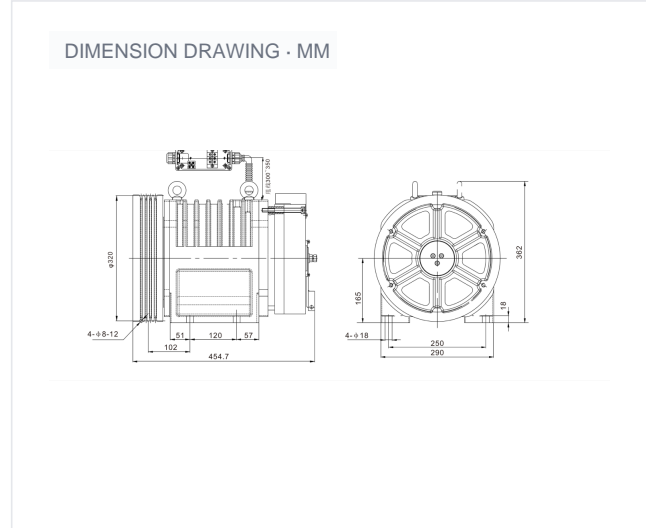


WTD2-P SERIES · PERMANENT MAGNET GEARLESS

# WTD2-P400-100D

400 / 408 kg · 1.0 m/s

Compact permanent magnet synchronous machine for residential and small commercial elevators.



### ELECTRICAL CHARACTERISTICS

Rated power	<b>2.7 kW</b>
Rated current	<b>8 A</b>
Rated speed	<b>119 rpm</b>
Frequency	<b>19.9 Hz</b>
Rated torque	<b>217 N·m</b>
Number of poles	<b>20</b>
Rated voltage	<b>AC 380 V · 50/60 Hz</b>
Brake voltage	<b>DC 110 V · single coil</b>

### MECHANICAL PROPERTIES

Net weight	<b>140 kg</b>
Total length	<b>454.7 mm</b>
Overall height	<b>362 mm</b>
Mounting height	<b>165 mm</b>
Mounting holes	<b>4 × Ø18 @ 250 mm</b>
Sheave diameter	<b>Ø 320 mm</b>
Static shaft load	<b>2,500 kg</b>
Travelling height	<b>≤ 90 m</b>

### DESIGN & STANDARDS

Motor type <b>PM synchronous</b>	Wrap <b>Single</b>	Roping <b>4 × Ø8 × 12 · ratio 2:1</b>
Groove profile <b>Undercut U</b>	Cut angle β <b>90°</b>	Groove angle γ <b>30°</b>
Duty cycle <b>S5 – 40%</b>	Insulation class <b>F</b>	Protection <b>IP41</b>

### STANDARDS & CERTIFICATIONS

<b>EN 81</b> European elevator safety	<b>CE</b> Compliant configurations	<b>IEC 60034</b> Rotating electrical machines	<b>Class F</b> Insulation rating	<b>IP41</b> Ingress protection
--	---------------------------------------	--	-------------------------------------	-----------------------------------

### NOTES

- Specifications stated at rated voltage and rated load. Operating conditions outside the rated envelope may shift performance.
- Drawings dimensioned in millimetres. Tolerances ±0.5 mm on mounting hole spacing. Refer to engineering for full GA drawings.
- Configurations beyond the published baseline (alternative voltages, groove geometries, sheave diameters) available on request.